

## Features

- Corner layout minimizes footprint without compromising bathing area.
- Spacious design accommodates up to two bathers.
- Integral lumbar support and armrests offer extra comfort while bathing.
- Integral flange helps prevent water from seeping behind wall and simplifies alcove installation.
- Integral apron.
- Center drain.

## Material

- Acrylic.

## Installation

- Corner.

## Recommended Products/Accessories

- K-1491 Bath/Whirlpool Pillow
- K-11677 Bath Drain
- K-1601 Bath/whirlpool footstop, removable
- K-7213 27" Cable Bath Drain
- K-7214 27" Cable Bath Drain
- K-7259 Brass toe tap bath drain
- K-37382 45" Rough-in Cable Bath Drain
- K-23726 Drain treatment
- K-23732 Tub & shower cleaner



## Codes/Standards

CSA B45.5/IAPMO Z124  
ASTM E162  
ASTM E662  
UL 1795



## KOHLER® Plastic Baths and Receptors Lifetime Limited Warranty

See website for detailed warranty information.

## Available Colors/Finishes

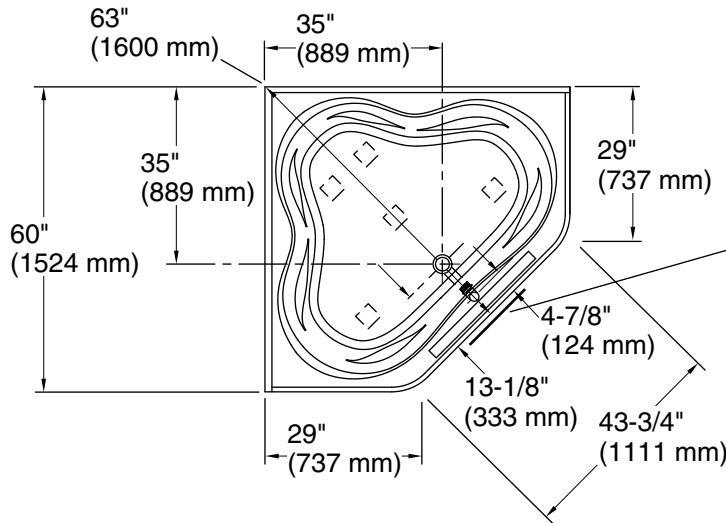
*Color tiles intended for reference only.*

Color	Code	Description
-------	------	-------------

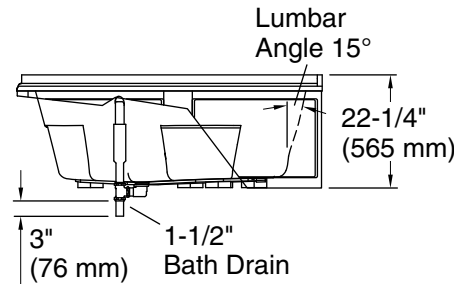
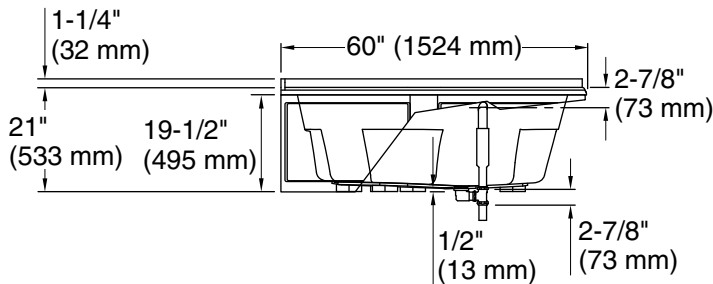
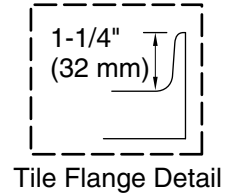
	0	White
	96	Biscuit

No change in measurements if connected with drain illustrated. (K-11677)

 Recommended Faucet Location



Access Panel  
20" (508 mm) W x  
15" (381 mm) L



### Technical Information

All product dimensions are nominal.

Installation:	Corner
Drain location:	Center
Basin area, bottom:	52" x 38-3/4" (1321 mm x 984 mm)
Basin area, top:	61" x 46-1/4" (1549 mm x 1175 mm)
Weight:	118 lbs (53.5 kg)
Minimum floor load:	35 lbs/ft² (170.9 kg/m²)
Water depth:	15" (381 mm)
Water capacity:	96 gal (363.4 L)

### Notes

Measure your actual product for rough-in details.

Install this product according to the installation instructions.

The hot water supply should be 70% of the capacity of the bath or greater. Installations will vary.

If installing a rim-mount faucet, make sure there is no interference above or below the deck before drilling any holes.